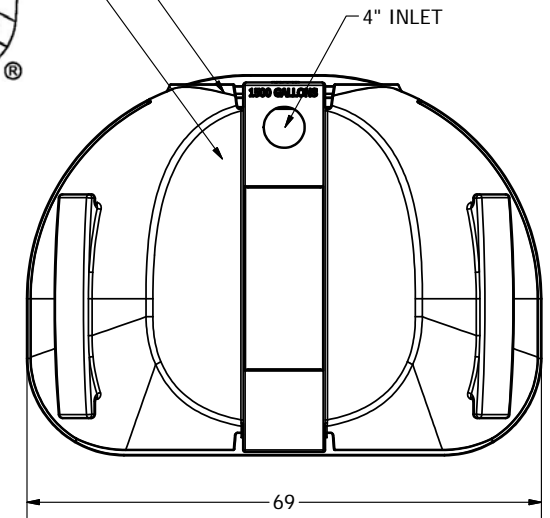
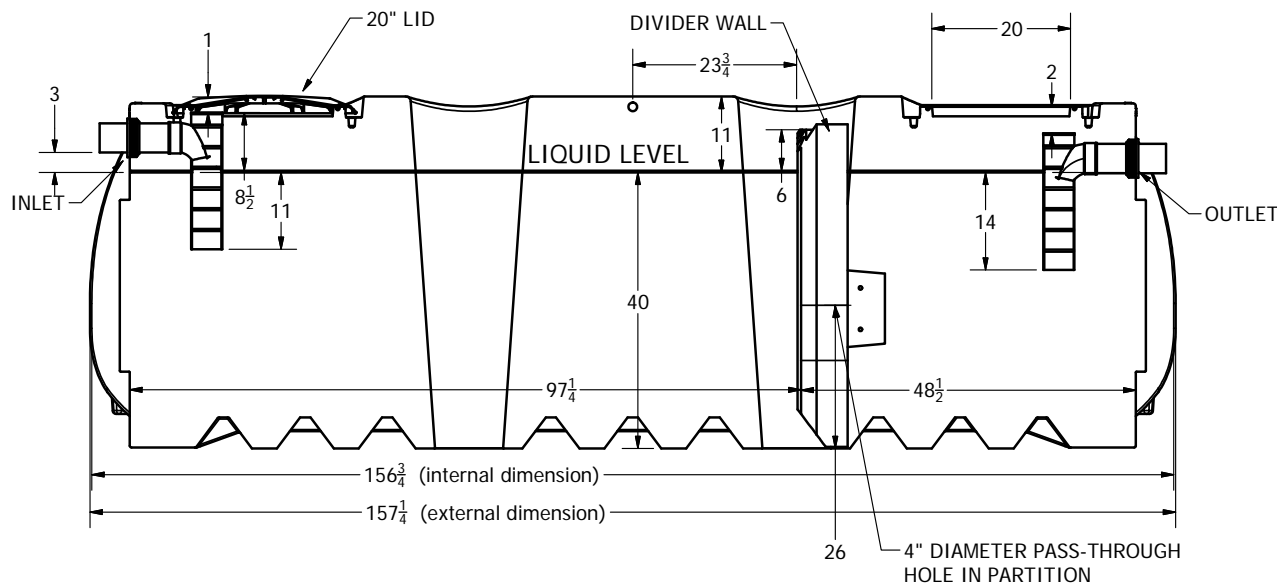


MATERIAL: HIGH-DENSITY POLYETHYLENE
 WALL THICKNESS: TANK WALL - .250"
 DIVIDER WALL - .19"

ZONE		REV	REVISION HISTORY	DESCRIPTION	DATE	APPROVED

SERIAL NUMBER EMBOSSED HERE
 CAN BE REFERENCED TO THE
 DATE OF MANUFACTURE

NORWESCO, INC.
 ST. BONIFACIUS, MN
 1500 GALLON CAPACITY
 MAX. EARTH COVER 3.0 FT



OPERATING VOLUME: PRIMARY COMPARTMENT: 1006 GALLONS
 OPERATING VOLUME: SECONADARY COMPARTMENT: 498 GALLONS

DRAWN	Todd Bolzer	5/8/2012
CHECKED		
QA		
MFG		
APPROVED		

NORWESCO
 NORWESCO, INC., ST. BONIFACIUS, MN

TITLE
 1500 GALLON LOW PROFILE SEPTIC TANK - IAPMO

SIZE	DWG NO	REV
B	1500 x 69 x 157 IAPMO	

SCALE: 1/16